



CLOCK
WOODBURNERS



Colour Range



Metallic Black



Metallic Blue



Honeyglow Brown



Forest Green



Light Metallic Grey



Majave Red

Email: hello@clockwoodburners.co.uk

Free Phone: 0800 772 0352 **Office:** 0161 877 6974

Warm your worries away

Here at Clock Woodburners we are passionate about designing and building efficient, effective and stylish stoves. But choosing a stove is about more than just how it works and what it looks like, it's about how it makes you feel.

Warm, cosy and secure is how you deserve to feel at home, and creating this feeling is at the heart of everything we do. Our aim is to create a range of stoves, all designed and built here in the UK, that not only lift your spirits and warm your toes, but leave you secure in the knowledge that you have chosen a highly efficient stove that is built to last.

Our very first stove was built in 2016 following a commission by Blithfield Hall, a Grade 1 listed private home in Staffordshire. The stove was a great success and led to the development of our first production-line model which we named the Clock Blithfield 5.

Through our growing dealer network and customer base we listened to feedback and next developed the Clock Blithfield Compact 5, a smaller, but no less perfectly formed, version of its big sister the Clock Blithfield 5. We were over the moon when this stove beat all its market rivals to be named Wood Log or Multi-Fuel Appliance of the Year at the 2018 Hearth & Home Exhibition, not bad for the new kid on the block!

We have also recently unveiled the Clock Double Sided. We believe this stove is the first double-sided stove on the market that is fully 2022 compliant. With crystal clear glass for a superb view of the warming, flickering flames which, incidentally, burn 70% more efficiently than the 2022 legislation actually requires.

You can find full details of the full Clock Woodburners' product range over on our product pages. Better yet, go and see the stoves in action for yourself at one of the 185 Clock dealers across the UK – find your nearest over on our Dealer Locator.

clockwoodburners.co.uk



Features Include:

Designed to be enjoyed

All our stoves are designed and built for you here in the UK. And that's everything from parts fabrication, assembly and hand-finishing – it's all done here in the UK. Plus, packaging, shipping, after-sales care and customer services – well that's all managed here by us in the UK too.

First-class service

With a hand-picked network of dealers and showrooms across the UK we are confident you are only a short trip away from viewing your new Clock stove in action. All our dealers have been chosen because, like us, they have a proven track record of first-class customer service and reliability. They will offer you the best advice to suit your home and your lifestyle. So confident of this are we, that if a Clock stove isn't right for you we are happy for them to recommend the stove that is.

"It is a pleasure to be able to introduce you to our growing range of stoves. We believe that time spent choosing, buying and enjoying a Clock Woodburner is time well spent and it is our aim to ensure that the process is a pleasure from start to finish. You can be assured that a Clock Woodburner is built to the very latest specifications and designed to bring you years of pleasure. So why not visit your local dealer today and welcome home a Clock Woodburner?"

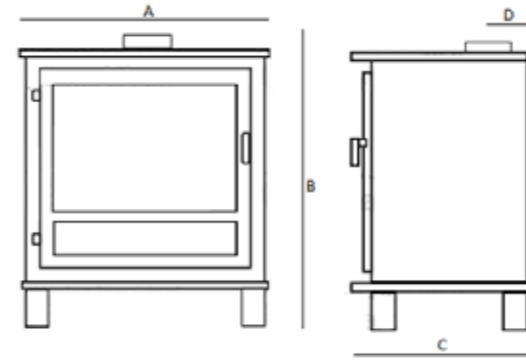
Dan Hulse
Managing Director, Clock Woodburners

All Clock Stoves are
ECO Design 2022
ready as standard.

2022
ecodesign
ready



Clock Blithfield 5 (Multi-fuel 5kw)



Black & Stainless Steel Log
Box Option

Blithfield 5	A	B	C	D	Weight
Dimensions (mm)	535	600	390	120	116kg
Log Store	535	850	390	120	158kg

Description	Values
Output (kw)	3.5kw – 7.5kw (Nominally Tested at 5kw)
Wood Burning	Yes
Multi Fuel	Yes
Flue Size	5" / 130mm
Weight	116kg
Glass Size	345mm x 246mm
Rope Size	12mm Diameter Soft
Warranty	7 Years

Available Options

- Log Store
- Colours
- Brass or Stainless Steel Fittings
- Direct Air Option
- Heat Shield

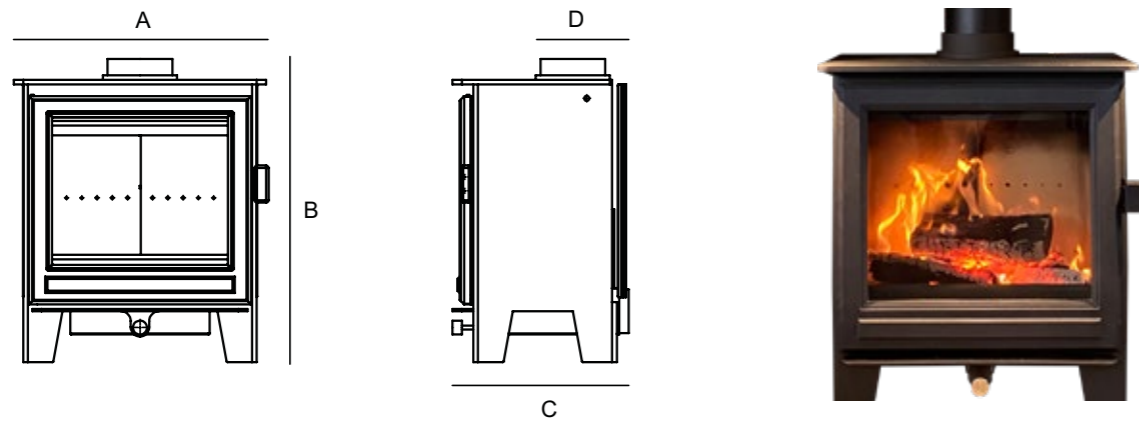


Clock Blithfield 5

Email: hello@clockwoodburners.co.uk

Free Phone: 0800 772 0352 **Office:** 0161 877 6974

Sudbury Wood Stove (5kw)



Sudbury Wood Stove	A	B	C	D	Weight
Dimensions (mm)	535	600	375	85	93kg

Description	Values
Output (kw)	3kw - 7kw
Wood Burning	Yes
Multi Fuel	No
Flue Size	5"
Weight	93kg
Glass Size	405mm x 345mm
Rope Size	12mm Diameter Soft
Warranty	7 Years

Available Options
Colours
Brass or Stainless Steel Fittings
Direct Air Option
Heat Shield



Email: hello@clockwoodburners.co.uk

Free Phone: 0800 772 0352 **Office:** 0161 877 6974

HEARTH & Home AWARDS WINNER
STOVE OF THE YEAR

All Clock Stoves are
 ECO Design 2022
 ready as standard.

2022
 ecodeign
 ready



Clock Blithfield Compact 5

Clock Blithfield Compact 5 (Multi-fuel 5kw)



Blithfield Compact 5	A	B	C	D	Weight
Dimensions (mm)	430	600	335	110	85kg
Log Box	430	845	335	110	119kg

Description	Values
Output (kw)	2.5kw – 7.5kw (Nominally Tested at 5kw)
Wood Burning	Yes
Multi Fuel	Yes
Flue Size	5" / 130mm
Weight	85kg
Glass Size	300mm x 250mm
Rope Size	12mm Diameter Soft
Warranty	7 Years

Available Options
Log Store
Colours
Brass or Stainless Steel Fittings
Direct Air Kit
Heat Shield



Email: hello@clockwoodburners.co.uk

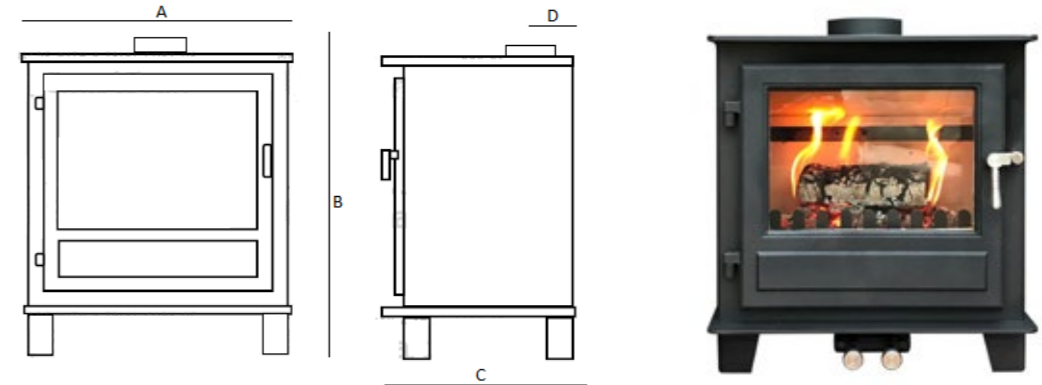
Free Phone: 0800 772 0352 **Office:** 0161 877 6974



All Clock Stoves are
ECO Design 2022
ready as standard.

2022
ecodesign
ready

Clock Blithfield 8 (Multi-fuel 8kw)



Blithfield 8	A	B	C	D	Weight
Dimensions (mm)	590	640	390	160	145kg

Description	Values
Output (kw)	6kw - 10.5kw (Nominally tested at 8kw)
Wood Burning	Yes
Multi Fuel	Yes
Flue Size	6" / 150mm
Weight	145kg
Rope Size	12mm Diameter Soft
Warranty	7 Years

Available Options
Colours
Brass or Stainless Steel Fittings
Direct Air Option
Heat Shield



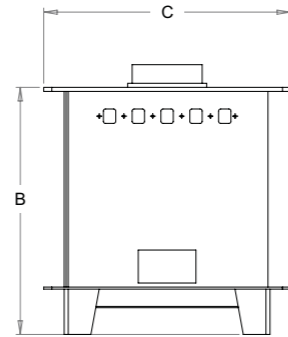
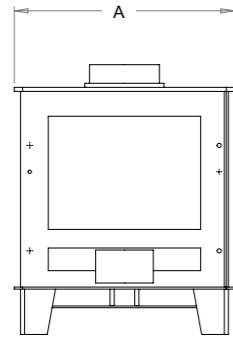
Clock Blithfield 8

Email: hello@clockwoodburners.co.uk

Free Phone: 0800 772 0352 **Office:** 0161 877 6974

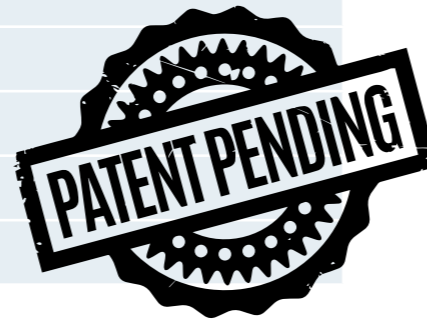
Clock Blithfield DS

(Multi-fuel 10kw)



Clock Blithfield DS	A	B	C	Weight
Dimensions (mm)	525	600	600	175kg

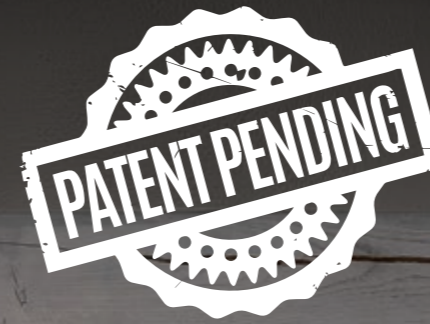
Description	Values
Output (kw)	8.5kw – 14kw (Nominally Tested at 10.5kw)
Wood Burning	Yes
Multi Fuel	Yes
Flue Size	6" / 150mm
Weight	175kg
Glass Size	345mm x 246mm
Rope Size	12mm Diameter Soft
Warranty	7 Years



Available Options
Colours
Brass or Stainless Steel Fittings
Direct Air Option



All Clock Stoves are ECO Design 2022 ready as standard.



Clock Blithfield DS

Email: hello@clockwoodburners.co.uk

Free Phone: 0800 772 0352 **Office:** 0161 877 6974

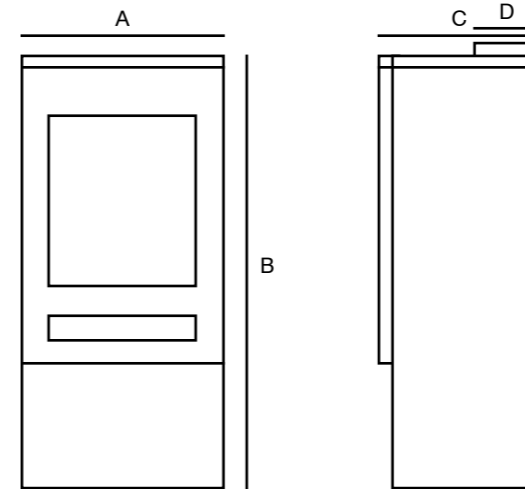
All Clock Stoves are
ECO Design 2022
ready as standard.

2022
ecodesign
ready



Clock Brocksford CS5

Clock Brocksford CS5 (5kw)



Brocksford CS5	A	B	C	D	Weight
Dimensions (mm)	480	970	430	130	120kg

Description	Values
Output (kw)	3kw – 7kw (Nominally tested at 5kw)
Wood Burning	Yes
Multi Fuel	No
Flue Size	5" / 130mm
Weight	120kg
Glass Size	323mm x 385mm
Rope Size	12mm Diameter Soft
Warranty	7 Years

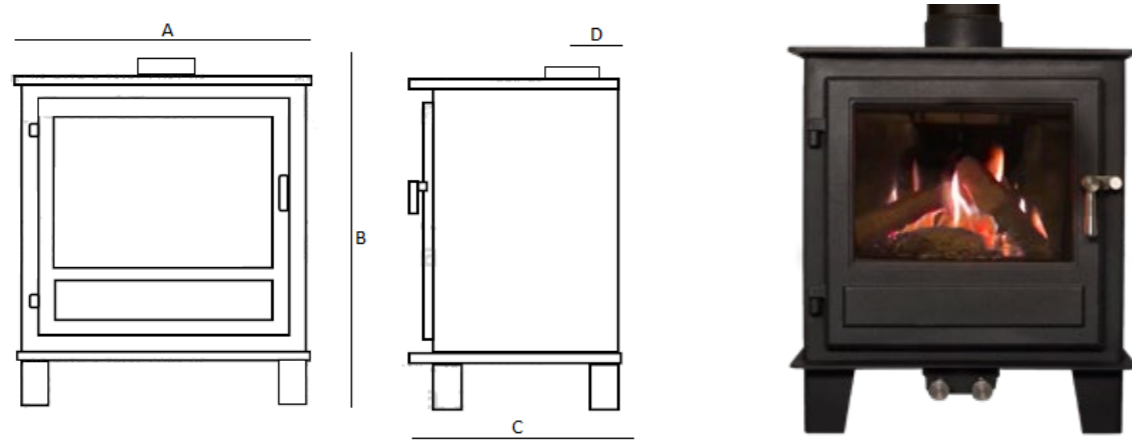
Available Options
Colours
Direct Air Option



Email: hello@clockwoodburners.co.uk

Free Phone: 0800 772 0352 **Office:** 0161 877 6974

Blithfield Gas Stove (Natural Gas)



Blithfield Gas	A	B	C	Weight
Dimensions (mm)	535	600	390	87kg

Description	Values
Output (kw)	4.7kw
Flue Size	5"
Weight	87kg
Glass Size	345mm x 246mm
Rope Size	12mm Diameter Soft
Warranty	7 years on body
Flue	Conventional

Available Options

Colours



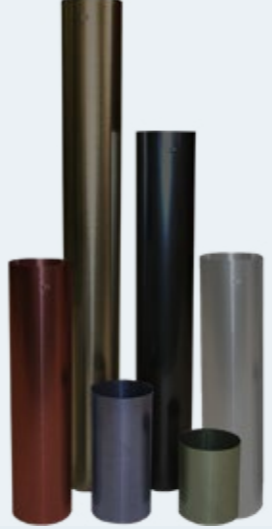
Brass or Stainless Steel Fittings



Clock Gas Stove

Email: hello@clockwoodburners.co.uk

Free Phone: 0800 772 0352 **Office:** 0161 877 6974

Thermometer	Paint	Coloured Flue Pipe
		
Stove Thermometer RRP £12.95	Stove Paint 400ml RRP £18.95 All Colours	<p>5 inch 500mm length All colours £68.00 RRP</p> <p>6 inch 500mm length All colours £88.00 RRP</p> <p>5 inch 1000mm length All colours £98.00 RRP</p> <p>6 inch 1000mm length All colours £118.00 RRP</p>

To see our range of accessories including chambers, hearths, outdoor fires & all Clock spares please visit our website for full details: www.clockwoodburners.co.uk

Distance to combustibles

Stove	Contemporary 5 kw Brocksford	Large 8kw Blithfield	Standard 5kw Blithfield (cook model)	Compact 5kw Blithfield	Double 10kw Blithfield	Sudbury 5kw
Above	750	450	375	375	550	375
Sides	250	600	550	500	850	500
Back	150	650	600	600	Na	500
12mm hearth	yes	yes	yes	yes	yes	yes
weight kg	122	136	116	85	175	93

N.B - For Non-combustibles we recommend 150mm at the sides and 100mm to the rear

Find a dealer

There is no better way to decide on your perfect stove than seeing it in action.

We have carefully selected some of the best fireplace and stove retailers in the county to showcase the Clock range and we are absolutely confident in their ability to offer you the best advice on choosing and installing a new stove.

185+ Installers

Clock Woodburners has a growing list of approved retailers situated across the length and breadth of the UK.



Approved retailer network

We pride ourselves on customer service and want you to really enjoy choosing your new stove. All our approved retailers will be able to advise you on your choice of stove, carry out a home survey, install and then maintain your new Clock stove.



Free quotations

Your Clock retailer will offer you a free, no-obligation quotation for your chosen model to include flueing and installation. You can even send them a request now by entering your postcode, clicking on your nearest retailer and completing the online enquiry form.



Showrooms

Many of our retailers have fully-fitted showrooms and will be able to demonstrate your chosen product up-close and burning – the very best way to appreciate the stunning flames a Clock stove produces.

Working in partnership with our approved dealer network

Your retailer will be able to advise on the right size stove for your property, the best fuel type to suit your lifestyle, demonstrate the features of your chosen stove and offer a detailed break-down of the price including flueing materials and installation. As a manufacturer we work closely with all of our retailers and listen to their feedback and value their judgement. We also strive to help build their business which is why you won't find us selling our stoves over the internet – we believe in protecting your local retailers.

We understand that choosing a stove that will sit at the heart of your home takes time and can be confusing. So confident are we in our retailer's ability to give you the best advice that if they feel a Clock stove isn't the right choice for you, we encourage them to recommend the one that is.

Visit our website www.clockwoodburners.co.uk

Email: hello@clockwoodburners.co.uk

Free Phone: 0800 772 0352 Office: 0161 877 6974



Please visit our website to download our current price list, register your stove warranty or purchase spares.

www.clockwoodburners.co.uk

Warranty Registration

You must complete the warranty registration form on our website within 60 days of installation to receive the full benefits of your warranty.

Our 7 year extended warranty only applies to Stoves purchased through our approved dealer network.

To qualify for the extended 7 year warranty your appliance must be installed by a registered HETAS or OFTEC installer.

If you are planning a self-install then you must provide a copy of your Building Control Certificate sign off sheet when registering your stove to qualify.

Any Clock stove purchased via a 3rd party or online will carry a statutory 12 month warranty and call out charges will apply.



**SOURCING INNOVATION,
DELIVERING EFFICIENCY**

Copyright © 2021 Clock Woodburners - All Rights Reserved.

Registered in England & Wales Number: 08993414.

"Clock Woodburners" is a Trading Name of The Efficiency People Trading Limited (TEP)

Units 3&4, Clarence Avenue, Trafford Park, Manchester, M17 1QS

Tel: 0161 8776974



CE Products are marked where applicable