



ELGIN & HALL[®]

BRITISH MADE

FIRE & STOVE COLLECTION



HEATING HOMES FOR GENERATIONS



Welcome

An Elgin & Hall electric or gas fire could easily be the most rewarding addition you make to your home and its value. Since the foundation of our parent company in 1964, we have successfully continued to grow from our base in the North East of England. Every design is lovingly created here in the UK.

Over 59 years of continuous innovation and development has provided us with a collection of fires and fireplaces to suit any interior and lifestyle, whilst always adhering to our founding principles of elegance and simplicity. This timeless quality means your chosen fireplace will always be comfortably in agreement with your tastes in furnishing and décor.

You can rest assured that our gas and electric fires are engineered, produced and tested for peak performance and reliability.

Our fires are designed to keep up with changing lifestyles and include features which only we can produce thanks to our investment in the latest machinery.

At the same time, we depend on our craft skills to hand finish each piece to perfection. It is this balance of innovation and heritage that makes your Elgin & Hall fire uniquely special.

As part of the BeModern® Group we manufacture a range of product in house, to include, surrounds, fires and fireplaces in marble and timber, as well as steel and cast stoves. Our bathroom and bedroom range suits both the traditional and contemporary home.



Our Commitment

Highest Standards of Quality BeModern® furniture suppliers manufacture a world class product and continuous investment means we are recognised as the industry leader:

- Operating to ISO 9001:2015 accreditation
- Working closely with our supply partners to maintain the highest quality of raw materials.
- Investing in new technologies to provide innovative solutions.

Our CSR Policies

We are aware that global climate change threatens the wellbeing of the natural environment and society. Whilst governments around the world move to agree on cutting greenhouse emissions, as a British manufacturer BeModern® works to minimise our own carbon footprint, cut emissions, reduce waste, recycle and reap the benefits of new, green ways of running a manufacturing business.

Responsible Manufacturing

We are dedicated to minimising the environmental impacts of our manufacturing activities and seek to explore new ideas through eco innovation, for example our 2010 investment of over £1m in an eco-boiler to convert all waste timber into heat for our factories.

Environmental Management

Having been accredited with ISO 14001:2015, the internationally recognised environmental management standard, BeModern® is committed to continually improving the effectiveness of our environmental management system.

Transport

BeModern® logistics department makes thousands of deliveries each year, providing us with an opportunity to reduce the carbon footprint through regularly modernising our fleet to minimise noise and air pollution and training drivers in fuel efficient, safe driving.

FSC® Certified Timber

Wood is a significant material used across many BeModern® products. As demand for forestry products continues to grow, BeModern® plays its part in conservation by making sure 100% of it's products are made using FSC® certified timber and holds a full Forestry Stewardship Council® chain of custody certification.





1964



2023

Our history so far



1963
Business starts as **Modern Trends** manufacturing fire surrounds in Hendon, Sunderland from a 5000sq.ft factory



1964
Business incorporated as BeModern®



1967
Expansion of BeModern® leads them to move to larger premises in Nile Street, South Shields



1970
Continued expansion leads to purpose built premises in Western Approach, South Shields



1982
BeModern® moves into the retail sector with the acquisition of Academy Crafts selling kitchen furniture



1988
BeModern® celebrates 25 years as a British manufacturer



2001
BeModern® acquires current Shaftsbury Avenue site and commences manufacture of marble surrounds (later extended in 2004 & 2013)



2006
BeModern® acquired design and product rights of **Elgin & Hall** - manufacturing hand painted, individually crafted fire surrounds in our Marcraft factory



2009
BeModern® acquires **Broseley** in Shropshire, to extend product choice into multifuel, woodburning, electric and gas stoves (later moved to Jarrow Head Office 2019)



2012
Broseley Stoves now manufactured at our Shaftsbury Avenue site



2013
BeModern® celebrates 50 years as a British manufacturer



2014
BeModern® headquarters move from Western Approach in South Shields after 44 years to Bedesway Jarrow after a major £1m makeover



2018
The Pryzm range is developed and released



2021
The new Flare Collection is released



2022
My Pryzm App is developed and released

Electric Fires

Whichever Elgin & Hall micro marble surround you choose, the centre attraction is the fire itself, inset into the back panel, or hole in the wall to create a modern aesthetic.

Whether you are replacing a gas or coal fire or installing a natural focus to a room with no existing fireplace, choosing electric allows you to connect with clean, instant, efficient and thermostatically controlled heat.

Benefits

With an electric fire you don't need to generate heat to enjoy its comforting glow. The LED flame effect only control option, lets you experience it any time of the day or year.

Efficient

Enjoy the convenience of efficient, instantly controllable heat and clean maintenance free living. By itself the LED only effect consumes between 9 & 13 watts of energy.



7 Day Thermostatic Remote Control

An Elgin & Hall inset fire should be effortless to operate. Which is why they come complete with a remote control to put different levels of heat, light and flame at your fingertips.



Manual Switches

Are easily accessible with main functions to compliment the remote control.

Volta - Inset Hole in the Wall

Designed to fit within a pre-fabricated plasterboard or masonry chimney breast. The innovative design of this panoramic centrepiece comes to life with the 5D flame effect with three flame colour settings. The simple and effortless installation makes the Volta by PRYZM the perfect choice for a built in chimney breast.

Finish	Inset Depth Required	Recess Required	Max Output	Control
Matt Black, Chrome or Black Nickel	238mm	32" - W792mm x H398mm x D238mm 42" - W1042mm x H398mm x D238mm	2kW	7 Day Thermostatic Remote Control



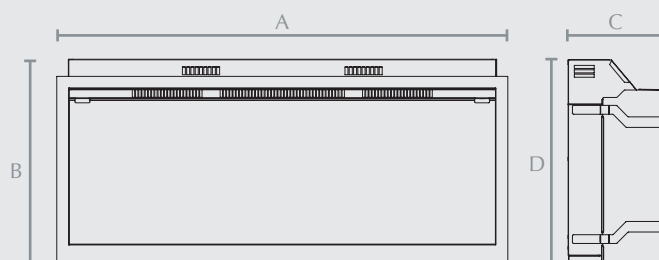
Volta 1000 in Black Nickel

Volta 1000 in Matt Black



Volta 750 in Chrome

Supplied with a frame fitting kit designed to make installation faster, simpler & ensure a perfect fit every time. See installation instructions for more info.



Volta 750 (32")

- A) Width 804mm
- B) Height 432mm
- C) Depth 238mm
- D) Rear Height 467mm

Volta 1000 (42")

- A) Width 1054mm
- B) Height 432mm
- C) Depth 238mm
- D) Rear Height 467mm

ARTEON - 3 Sided Electric Fire

Designed to allow for a 1, 2 or 3 sided installation, the Arteon 3 sided inset hole in the wall electric fire is an innovation in versatility and available in 3 convenient sizes 1000mm, 1250mm & 1500mm. The panoramic design creates a remarkable visual impact with 5D flame effect, glowing ember effect and new realistic, hand painted log display.

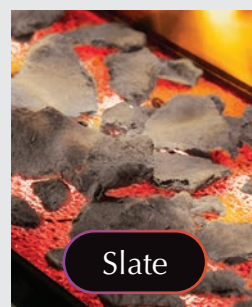
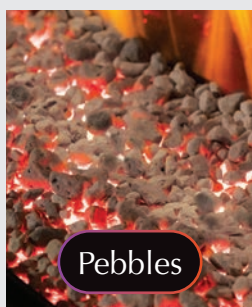
The shimmering fuel bed with multi-LED effect has 13 dimmable colour options and rotation setting whilst down lights illuminate the loose logs. Design your perfect fuel bed effect with the inclusive pebbles, bark, slate & crystals; the finished look will be bespoke to you. The optional LED mood lighting kit simply works off the same remote control and pairs with the fuel bed lights.

Description	W:1side	W:2side	W:3side	Size (mm) - H X D	Remote	Heat Output
Arteon 1000-3SL (1,2 or 3 Sided)	1002mm	1015mm	1028mm	H515 x D257mm	7 Day Thermostatic Remote Control	1.5kW
Arteon 1250-3SL (1,2 or 3 Sided)	1252mm	1265mm	1278mm	H515 x D282mm		
Arteon 1500-3SL (1,2 or 3 Sided)	1502mm	1515mm	1528mm	H515 x D282mm		
Arteon LED Mood Light Kit	N/A	N/A	N/A	0.8m Cable + 3m LED Lights	13 Colours	N/A

Dims are actual engine size. Tolerance +/-1mm. Please refer to installation instructions for more info



1500 3SL - Shown as 1 sided. Choose between 1, 2 or 3 sided straight out the box.



One Fire – Infinitely Bespoke



1250 3SL - Shown as 2 sided. Choose between 1, 2 or 3 sided straight out the box.



1000 3SL - Shown as 3 sided. Choose between 1, 2 or 3 sided straight out the box.

Opening - to fit & inset the fire

Model	Width	Height	Min Depth		
			1 sided	2 sided	3 sided
Arteon 1000-3SL (1,2 or 3 Sided)	1003mm	525mm	255mm*	246mm	246mm
Arteon 1250-3SL (1,2 or 3 Sided)	1253mm	525mm	280mm*	271mm	271mm
Arteon 1500-3SL (1,2 or 3 Sided)	1503mm	525mm	280mm*	271mm	271mm

* Includes required 10mm rear clearance.

Visible burn area after fitting

Model	Width	Height	Depth 2/3 sided
Arteon 1000-3SL (1,2 or 3 Sided)	995mm	380mm	152mm
Arteon 1250-3SL (1,2 or 3 Sided)	1245mm	380mm	177mm
Arteon 1500-3SL (1,2 or 3 Sided)	1495mm	380mm	177mm

Tolerance +/-1mm. Please refer to installation instructions for more info

ARTEON 16 & 22 - App Controlled Inset Electric Fires

ARTEON 16 or 22 is the next generation of PRYZM glass fronted inset electric fires that are App controlled, remote controlled (with simplified functionality), as well as manually controlled. The official my PRYZM App is the most comprehensive way to schedule, control and customise your PRYZM electric fire's heat and lighting, all from the palm of your hand. **Now available with a Cast Stove Front.**

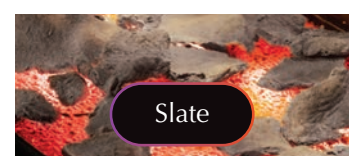
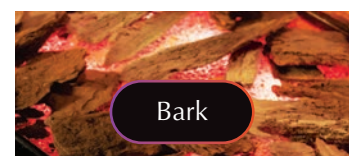
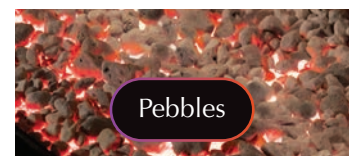
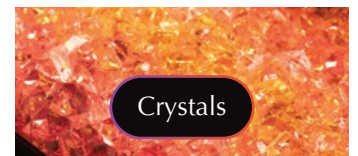


	Finish	Width	Height	Depth	Rear Height
Ray:	Chrome or Black Nickel	512mm	611mm	174mm	552mm
Devotion:	Chrome or Black Nickel	510mm	605mm	174mm	552mm
Cast Stove Front:	Matt Black	562mm	659mm	238mm	552mm
Inset Depth Required	145mm* / 75mm (with spacer frame)				
Back Panel Cut Out	W413mm x H565mm				
Heat Output	Up to 2kW				
Control	7 Day Thermostatic Remote Control				

Whether you wish to simply turn on your electric fire's heating to take the edge off an autumnal evening chill or programme in a full 7 day heating schedule cycle over the winter, the my PRYZM App does it all with ease.



Create your bespoke fire bed



CONTROL YOUR FIRES FROM YOUR SMARTPHONE

QR Code

ANDROID APP ON Google play

Download on the App Store

	Finish	Width	Height	Depth	Rear Height
Ray:	Chrome or Black Nickel	612mm	611mm	174mm	555mm
Cast Stove Front:	Matt Black	668mm	672mm	252mm	552mm
Inset Depth Required	145mm* / 75mm (with spacer frame)				
Back Panel Cut Out	W570 x H595mm				
Heat Output	Up to 2kW				
Control	7 Day Thermostatic Remote Control				

*Cast Stove Front only | Please note: Spacer frame not compatible with Cast Stove Front

Pryzm 16 - Inset Electric Fire

Let the 16" Pryzm inset electric fires transform your home to a new level of contemporary living. The glorious 5D flame effect and loose logs create a new level of realism. Enjoy the 2kW heat output at your convenience with the 7 day programmable thermostatic remote control. Select your perfect style from a wide choice of fascia's shown below. **Now available with a Cast Stove Front.**



	Finish	Width	Height	Depth	Rear Height
Chollerton:	Chrome or Black Nickel	512mm	611mm	174mm	555mm
Edge:	Chrome or Black Nickel	511mm	611mm	174mm	555mm
Devotion:	Chrome, Brushed Steel, Brass or Black Nickel	510mm	605mm	174mm	555mm
Classic Devotion + Belmont fret:	Chrome, Black, Brass or Black Nickel*				
Classic Devotion + Hampden fret:	Chrome, Black, Brass or Black Nickel*				
Classic Devotion + Brantley fret:	Chrome, Brass or Black Nickel*	562mm	659mm	238mm	552mm
Cast Stove Front:	Matt Black				
Inset Depth Required	145mm** / 75mm (with spacer frame)				
Back Panel Cut Out	W413 x H565mm				
Heat Output	Up to 2kW				
Control	7 Day Thermostatic Remote Control				

Pryzm 22 - Inset Electric Fire

There's no denying the visual impact of the 22" Pryzm inset electric fire. The panoramic window ensures optimum flame performance and the glowing ember effect with miniature pebble fuel bed can be truly appreciated. A 7 day programmable thermostatic remote control adds the convenience of controlled heat.



Chollerton fascia in Chrome



Edge fascia in Black Nickel



Cast Stove Front fascia in Matt Black**



Edge fascia in Chrome

	Finish	Width	Height	Depth	Rear Height
Chollerton:	Chrome or Black Nickel	612mm	611mm	170mm	565mm
Edge:	Chrome or Black Nickel	611mm	611mm	170mm	565mm
Cast Stove Trim	Matt Black	668mm	672mm	252mm	565mm
Inset Depth Required	145mm* / 75mm (with spacer frame)				
Back Panel Cut Out	W570 x H595mm				
Heat Output	Up to 2kW				
Control	7 Day Thermostatic Remote Control				

* Spacer frame not compatible with Cast Stove Front

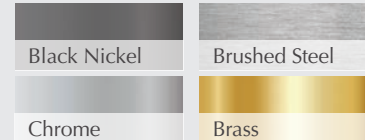
** Not compatible with the Costmore or Farnham Micro marble Electric Fireplace



Devotion Fascia in Black Nickel

Chollerton 16 16" Inset Electric fire

Fascia Design	Devotion
Fascia Finish	Chrome, Black Nickel, Brushed Steel or Brass
Back Panel Cut Out	W413 x H595mm
Heat Output	Up to 2kW
Control	7 Day Thermostatic Remote Control
Engine	Chollerton 16
Inset Depth Required	145mm / 75mm (with spacer frame)
Spacer	Optional
Dims	Width 510mm Height 605mm Depth 174mm Inset Depth 145mm Rear Height 555mm Rear Width 400mm



Chollerton Fascia in Chrome

Chollerton 16 16" Inset Electric fire

Fascia Design	Chollerton
Fascia Finish	Chrome or Black Nickel
Back Panel Cut Out	W413 x H595mm
Heat Output	Up to 2kW
Control	7 Day Thermostatic Remote Control
Engine	Chollerton 16
Inset Depth Required	145mm / 75mm (with spacer frame)
Spacer	Optional
Dims	Width 512mm Height 611mm Depth 174mm Inset Depth 145mm Rear Height 555mm Rear Width 400mm



Edge Fascia in Black Nickel

Chollerton 16 16" Inset Electric fire

Fascia Design	Edge
Fascia Finish	Chrome or Black Nickel
Back Panel Cut Out	W413 x H595mm
Heat Output	Up to 2kW
Control	7 Day Thermostatic Remote Control
Engine	Chollerton 16
Inset Depth Required	145mm / 75mm (with spacer frame)
Spacer	Optional
Dims	Width 511mm Height 611mm Depth 165mm Inset 145mm Rear Height 555mm Rear Width 400mm





Chollerton Fascia in Black Nickel

Chollerton 22

22" Inset Electric fire

The 22" to 16" inset Chollerton electric fire is a perfect solution to fit a 22" cut out back panel which sits against a standard 16" chimney opening without the need for additional building work. Boasting from a flawless design; with a range of frame and finish options, complete with a handcrafted log bed, and glass fronted.

Fascia Design	Chollerton
Fascia Finish	Chrome or Black Nickel
Back Panel Cut Out	W413 x H565mm / W570 x H595mm
Heat Output	Up to 2kW
Control	7 Day Thermostatic Remote Control
Engine	Chollerton 22-16
Inset Depth Required	145mm / 75mm (with spacer frame)
Spacer	Optional
Dims	Width 612mm Height 611mm Depth 170mm Inset 145mm Rear Height 565mm Inset Width 403/503mm



Edge Fascia in Black Nickel

Chollerton 22

22" Inset Electric fire

With all the features as above, the Chollerton Edge has a modern sleek fascia design with striking straight lines and is available in 2 luxury finishes, Chrome & Black Nickel. The 22" to 16" inset Chollerton Edge electric fire is a perfect solution to fit a 22" cut out back panel which sits against a standard 16" chimney opening without the need for additional building work. The modern log bed is enclosed with its glass front adding a premium aesthetic.

Fascia Design	Edge
Fascia Finish	Chrome or Black Nickel
Back Panel Cut Out	W413 x H565mm / W570 x H595mm
Heat Output	Up to 2kW
Control	7 Day Thermostatic Remote Control
Engine	Chollerton 22-16
Inset Depth Required	145mm / 75mm (with spacer frame)
Spacer	Optional
Dims	Width 611mm Height 611mm Depth 170mm Inset 145mm Rear Height 565mm Inset Width 403/503mm



— NEW —



Chollerton 16" Inset electric fire complete with Cast Stove Front

Matt Black



Chollerton 22" Inset electric fire complete with Cast Stove Front

Matt Black

Cast Stove Front

Chollerton 16 & 22" Inset Electric Fire

The Chollerton Cast Stove Front is available in 2 sizes: 16" & 22" to 16" and allows the aesthetic appeal of a real stove, with all the convenience of an electric fire. Art and technology combine perfectly to provide a unique flame effect which is truly picturesque and creates an idyllic centrepiece to a room. Offering 2kW heat output and a flame effect only setting. This model comes with a 7 day programmable thermostat remote control & glass fronted for ultimate convenience.

Fascia Design	Cast Stove Front	
Fascia Finish	Matt Black	
Back Panel Cut Out	16" W413 x H595mm 22" W570 x H595mm	
Heat Output	Up to 2kW	
Control	7 Day Thermostatic Remote Control	
Engine	Chollerton 22-16*	Chollerton 16
Inset Depth Required	145mm (No spacer available)	
16" Dims	Width 562mm Height 659mm	
	Depth 240mm Inset 145mm	
22" Dims	Rear Height 552mm Rear Width 400mm	
	Width 668mm Height 672mm	
	Depth 252mm Inset 145mm	
	Rear Height 565mm Inset Width 403/503mm	

Elsie 900 & 950

Inset electric fire

Offered in 2 sizes, the 900 portrait or 950 landscape, the Elsie electric fire comes complete with a 7 day programmable thermostatic remote control, providing up to 2kW of heat output or flame effect only setting. The glass fronted flame effect offers three settings incorporating orange and red LEDs and five brightness settings for optimum ambience.

Heat Output	Up to 2kW
Control	7 Day Thermostatic Remote Control
Opening required	900: W663mm x H744mm x D165mm
Opening required	950: W804mm x H624mm x D165mm



Elsie 950 Electric Fire shown in the Edwin timber electric fireplace in Ice White



Elsie 900 Electric Fire shown in the Vitalia micro marble electric fireplace in White

Inset Gas Fires

Once you've selected your new surround, you may choose to give it a warm glowing heart with an Elgin & Hall gas fire.

Our gas fires are controllable and convenient to operate with a discreet Smartslide control mounted on the top side or a manual control and igniter located behind the fret - flame height and heat output is at your control.

Installation

Current regulations stipulate that all gas fire installations must be carried out by a Registered Gas Safe Engineer.

For information and advice on a Gas Safe Engineer, please contact your local Elgin & Hall retailer.

Servicing

All gas fires need to be serviced annually by a Registered Gas Safe Engineer to ensure continued operation and optimum performance.

This annual service is a condition of our 5 year limited warranty, and you must show record of approved servicing.

Warranty

We provide a 5 year Limited Warranty* so you can be confident you have purchased and installed a high quality product.

*Terms & conditions apply.



Safety Assurance



Flame Failure Device

All of our gas fires are fitted with a flame monitoring device ensuring that in the event of the flame going out during its operation, the gas supply to the fire is instantly cut off.



Oxygen Depletion Sensor

For your safety, all our gas fires are fitted with an Oxygen Depletion Sensor. This will shut off the gas supply if the oxygen level in the room is too low or if there is a blockage in the chimney or flue.



Quality Approved

All our fires are manufactured in accordance with internationally recognised Quality and Environmental Management System Standards ISO 9001:2015 and ISO 14001:2015 guaranteeing responsible working and product quality.

Accessories



Xtra Canopy

The Xtra canopy kit* "tunes" the appliance to your flue to raise the efficiency by up to 8% on an open fronted fire.

*Available on Slimline or Deepline Radiant models only



Spacer Kit*

The spacer kit fits to the rear of the fire to reduce the depth by 25mm. It is ideal for use with pre-cast flues.

*Not available on the Cast Stove Front or Eclipsim fascia



Handle Options

An easy grip* attachment allows those with restricted movement to control the ignition & heat.

Matching colour handles are available in Brass & Chrome. A Black Smartslide handle is supplied as standard with Smartslide models.

*Easy grip handle not suitable for Chollerton gas fire.

Super Controllable



Smartslide Control

The discreet Smartslide control mounted at the top right hand side makes your Elgin & Hall gas fire convenient to operate. To turn the fire on simply press down and release.

Likewise you can turn the fire off by lifting to its top position. The control's second function is to regulate the flame height and heat output.

Smartslide controls give you the freedom to change the fire picture from smouldering to blazing at a touch to suit your mood and desired room temperature.



Manual Control

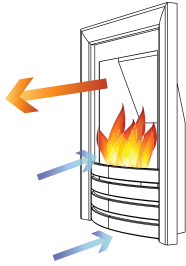
All our open fronted gas fires and our Balanced Flue fire are available as manual control. Neatly concealed behind the fret, these controls allow you to regulate your heat output and flame setting before replacing the fret for a sleek finish.

Choosing the right engine

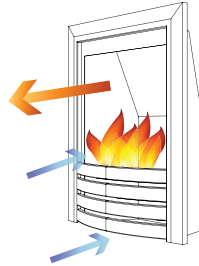
Open Fronted

Slimline Radiant

Radiant gas fires pull in cold air through their open front, circulating it over the real flames and emitting it back into the room.

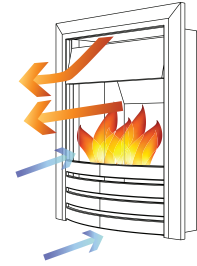


Deepline Radiant



Deepline Convector

Hot air is transferred through the canopy to circulate the warmth around the room.



Flue Type		Conventional Class 1 & 2 + Pre-Cast			
Gas Type		Natural Gas			
Efficiency		52% (58% with Xtra canopy)			
Control		Smartslide or Manual			
EEC		F			
EEI (%)		43% (48% Canopy)			
		High	Canopy	Low	Canopy
Heat Input:	Manual	6.75kW		3.5kW	
	Smartslide			3kW	
Heat Output:	Manual	3.2kW	3.5kW	1.5kW	1.7kW
	Smartslide			1.3kW	1.4kW

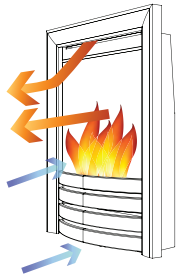
Flue Type		Conventional Class 1 & 2 + Pre-Cast*			
Gas Type		Natural Gas			
Efficiency		52% (55% with Xtra canopy)			
Control		Smartslide or Manual			
EEC		F			
EEI (%)		43% (46% Canopy)			
		High	Canopy	Low	Canopy
Heat Input:	Manual	6.75kW		3.5kW	
	Smartslide			3kW	
Heat Output:	Manual	3.2kW	3.4kW	1.5kW	1.6kW
	Smartslide			1.3kW	1.4kW

Flue Type		Conventional Class 1 & 2	
Gas Type		Natural Gas	
Efficiency		62%	
Control		Smartslide or Manual	
EEC		F	
EEI (%)		55%	
		High	Low
Heat Input:	Manual	6.75kW	3.5kW
	Smartslide		3kW
Heat Output:	Manual	3.8kW	1.8kW
	Smartslide		1.6kW

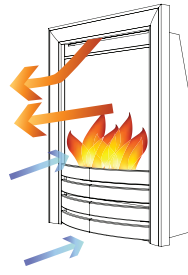
Glass Fronted

Mid-Depth

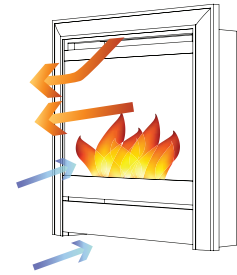
A panel of ceramic glass prevents air from being sucked up through the front of the fire and directing heat up the chimney, meaning a higher percentage of convected and radiant heat is propelled back into the room.



Deepline



Calleos



Flue Type		Conventional Class 1 & 2 + Pre-Cast	
Gas Type		Natural Gas	
Efficiency		82%	
Control		Smartslide	
EEC		D	
EEI (%)		73%	
Heat Input	High	3.7kW	Low 2.5kW
Heat Output	High	2.7kW	Low 1.7kW

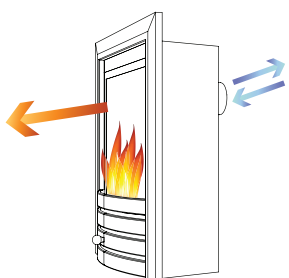
Flue Type		Conventional Class 1 & 2	
Gas Type		Natural Gas	
Efficiency		87%	
Control		Smartslide	
EEC		C	
EEI (%)		78%	
Heat Input	High	5.3kW	Low 2.7kW
Heat Output	High	4.2kW	Low 2kW

Flue Type		Conventional Class 1 & 2	
Gas Type		Natural Gas	
Efficiency		16" = 81% 22" = 87%	
Control		Smartslide	
EEC		16" = D 22" = C	
EEI (%)		16" = 72% 22" = 78%	
		High	Low
Heat Input:	16"	4.8kW	3kW
	22"	5.3kW	2.7kW
Heat Output:	16"	3.5kW	2.1kW
	22"	4.2kW	2.0kW

Balanced Flue Glass Fronted

Classic Balanced Flue

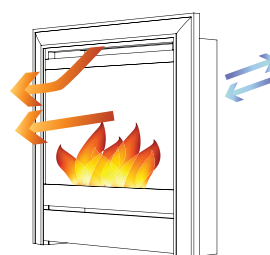
This glass fronted balanced flue gas fire is pleasingly traditional with a welcome efficiency of 86% and a cosy 3.3kW heat output. Complete with Balanced Flue Kit.



Flue Type		Balanced Flue	
Gas Type		Natural Gas	
Efficiency		86% EEC:C	
Control		Smartslide or Manual	
EEI (%)		77%	
		High	Low
Heat Input:	Manual	4.2kW	2.9kW
	Smartslide		2.7kW
Heat Output:	Manual	3.3kW	2.1kW
	Smartslide		2kW

Calleos Balanced Flue

The NEW Calleos glass fronted balanced flue gas fire is modern styled with a efficiency of 83.2% and a snug 3kW heat output. Complete with Balanced Flue Kit.



Flue Type		Balanced Flue	
Gas Type		Natural Gas	
Efficiency		83.2% EEC:D	
Control		Smartslide	
EEI (%)		74%	
		High	Low
Heat Input:	Smartslide	3.9kW	2.4kW
Heat Output:	Smartslide	3kW	1.7kW

* When installed with a 75mm rebate surround
Energy Efficiency Class (EEC)

16" Inset Gas fires

Our range of gas fires are available with an extensive choice of trims and frets to suit your style. Simply select your preferred collection, then choose your finish.



Fire Engine	(C) Inset Depth	Flue Type	Gas Type	Minimum Aperture in Chimney	Open or Glass Fronted	Xtra Canopy
Slimline Radiant	123mm	Conventional Class 1 & 2 + Pre-Cast	Natural Gas	W405mm x H555mm	Open Fronted	<input checked="" type="checkbox"/>
Deepline Radiant	173mm	Conventional Class 1 & 2 + Pre-Cast	Natural Gas			<input checked="" type="checkbox"/>
Deepline Convector	198mm	Conventional Class 1 & 2	Natural Gas			<input checked="" type="checkbox"/>
Mid Depth H.E	128mm	Conventional Class 1 & 2 + Pre-Cast	Natural Gas		Glass Fronted	<input checked="" type="checkbox"/>
Deepline H.E	198mm	Conventional Class 1 & 2	Natural Gas			<input checked="" type="checkbox"/>
Balanced Flue*	186mm	Balanced Flue	Natural Gas	N/A		<input checked="" type="checkbox"/>

*Includes: Balanced Flue kit

Exclusive Fascia Collection



- Black
- Brass
- Brushed Steel
- Chrome

Devotion Fascia Collection



- Black Nickel
- Brass
- Brushed Steel
- Chrome

Cast Stove Front



- Matt Black

Suitable for

- Mid Depth H.E
- Deepline H.E
- Balanced Flue

Eclipsim Fascia

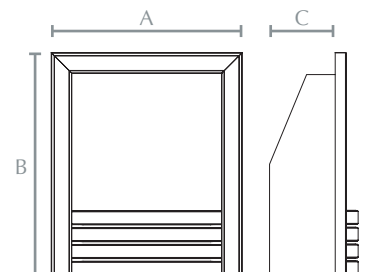


- Black / Chrome

Suitable for

- Slimline Radiant**
- Deepline Radiant**
- Mid Depth H.E
- Deepline H.E
- Balanced Flue

Fascia	Width (A)	Height (B)	Depth (C)
Exclusive	510mm	605mm	Inset Depth (See table)
Devotion	510mm	605mm	
Cast Stove Front	562mm	659mm	
Eclipsim	563mm	716mm	



** Not suitable with the Xtra canopy

———— Classic Collection ————

The harmony of the trim and cast fret on the Classic gas fire collection offers clean lines yet remains in keeping to a cutting edge interior. Simply select your preferred fire, whether that is Slimline or Deepline, Manual or Smartslide control and add a trim in Black, Brass, Brushed Steel, Black Nickel or Chrome finish. Then choose your Classic fret to complement your style – the Hampden, Belmont and Brantley fret each offers a unique flair and finish.

———— Choose your Gas Fire Engine complete with Trim ————

Exclusive finishes:



Chrome
Brushed Steel
Brass
Black

Devotion finishes:



Black Nickel
Brass
Brushed Steel
Chrome

———— Choose your Fret ————

Hampden



Chrome



Chrome / Black



Brass / Black



Black Nickel

Belmont



Chrome



Black / Chrome



Brass



Black Nickel / Chrome

Brantley



Chrome



Brass



Black Nickel



Exclusive Brass trim with Hampden Brass / Black fret



Exclusive Black trim with Belmont Black / Chrome fret



Devotion Chrome trim with Brantley Chrome fret

— NEW BALANCED FLUE AVAILABLE —

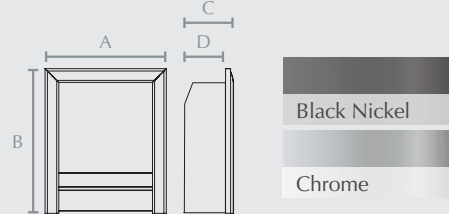


Chollerton Fascia

Calleos 16

16" Inset gas fire

Chollerton Fascia	Chrome or Black Nickel
Back Panel Cut Out	W405 x H595mm
Min / Max Output	2.2 / 3.7kW (Bal Flue: 1.7 / 3.0kW)
Control	Smartslide
Efficiency	Calleos: 88% EEC: C EEI: 77% Balanced Flue: 83.2% EEC: D EEI: 74%
Flue Type	Conventional Class 1 & 2 + Balanced Flue
Gas Type	Natural Gas
Dims	A) Width 512mm B) Height 611mm C) Depth 232mm D) Inset Depth 197mm D) Bal Flue Inset Depth: 290 - 580mm



— NEW BALANCED FLUE AVAILABLE —

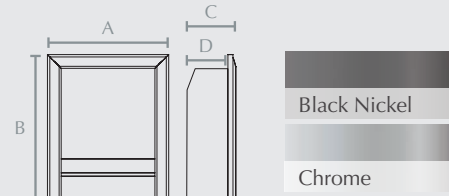


Edge Fascia

Calleos 16

16" Inset gas fire

Edge Fascia	Chrome or Black Nickel
Back Panel Cut Out	W405 x H595mm
Min / Max Output	2.2 / 3.7kW (Bal Flue: 1.7 / 3.0kW)
Control	Smartslide
Efficiency	Calleos: 88% EEC: C EEI: 77% Balanced Flue: 83.2% EEC: D EEI: 74%
Flue Type	Conventional Class 1 & 2 + Balanced Flue
Gas Type	Natural Gas
Dims	A) Width 511mm B) Height 611mm C) Depth 232mm D) Inset Depth 197mm D) Bal Flue Inset Depth: 290 - 580mm

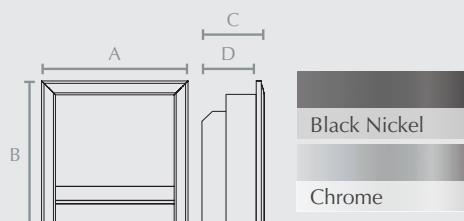


Chollerton Fascia

Calleos 22

22" Inset gas fire

Chollerton Fascia	Chrome or Black Nickel
Back Panel Cut Out	W570 x H595mm
Min / Max Output	2.0 / 4.2kW
Control	Smartslide
Efficiency	87.2% EEC: C EEI: 78%
Flue Type	Conventional Class 1 & 2
Gas Type	Natural Gas
Dims	A) Width 612mm B) Height 611mm C) Depth 230mm D) Inset Depth 195mm



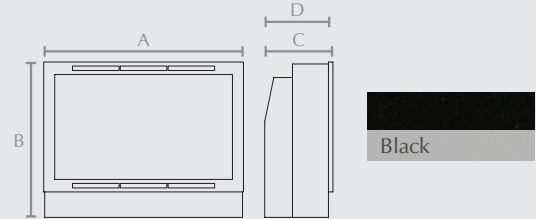


Shown in Cassius fireplace

Elsie 950

Standard & Pre-cast flue solution

Min / Max Output	1.9kW / 4.6kW
Control	Smartslide
Efficiency	75.3% EEC:E EEI: 66%
Flue Type	Conventional Class 1 & 2 + Pre-Cast
Gas Type	Natural Gas
Surrounds available	Cassius Earlston
Dims	A) Width 800mm B) Height 622mm C) Depth 273mm D) Inset Depth 255mm



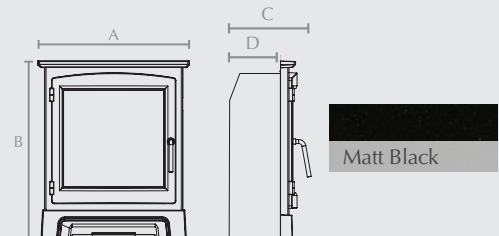
— NEW BALANCED FLUE AVAILABLE —



Cast Stove Front

With 16" Calleos Inset gas fire

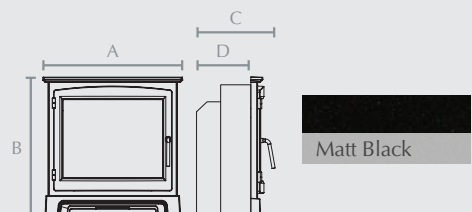
Fascia Finish	Matt Black
Back Panel Cut Out	W405 x H595mm
Min / Max Output	2.2 / 3.7kW (Bal Flue: 1.7 / 3.0kW)
Control	Smartslide
Efficiency	Calleos: 88% EEC: C EEI: 77% Balanced Flue: 83.2% EEC: D EEI: 74%
Flue Type	Conventional Class 1 & 2 + Balanced Flue
Gas Type	Natural Gas
Dims	A) Width 562mm B) Height 659mm C) Depth 232mm D) Inset Depth 197mm D) Bal Flue Inset Depth: 290 - 580mm



Cast Stove Front

With 22" Calleos Inset gas fire

Fascia Finish	Matt Black
Back Panel Cut Out	W570 x H595mm
Min / Max Output	2.0 / 4.2kW
Control	Smartslide
Efficiency	87.2% EEC: C EEI: 78%
Flue Type	Conventional Class 1 & 2
Gas Type	Natural Gas
Dims	A) Width 668mm B) Height 672mm C) Depth 265mm D) Inset Depth 195mm





Calleos 600CF with Slim Trim



Flame detail



Wide Trim detail

Calleos 600CF

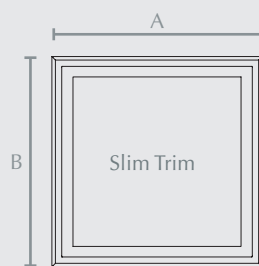
Inset wall mounted gas fire

Fascia Finish	Matt Black
Min / Max Output	2.9 / 4.5kW
Control	Smartslide
Efficiency	74.3% / EEC:E
Flue Type	Conventional Class 1 & 2
Gas Type	Natural Gas
Burner	Dual Burner
Fascia Options	Slim or optional Wide* trim
Glass Options	Standard or Non Reflective* glass

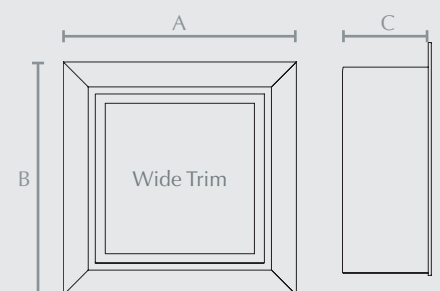
*Optional Extra

The Calleos 600CF is one of the most exciting developments in glass fronted gas fires and is suitable for both conventional class 1 and class 2 flues.

Installed with a Slim or optional Wide* trim, this gas fire fits directly into a fireplace wall for a minimalistic look. The Calleos 600CF features the latest in under-log dual burner technology and is sure to impress with its stunning fuel bed layout and reflective black glass internal panels.



A) Width 598mm | B) Height 598mm
C) Inset Depth 280mm



A) Width 747mm | B) Height 747mm
C) Inset Depth 280mm

— NEW —



Calleos 750CF with Wide Trim



Flame detail



Slim Trim detail

Calleos 750CF

Inset wall mounted gas fire

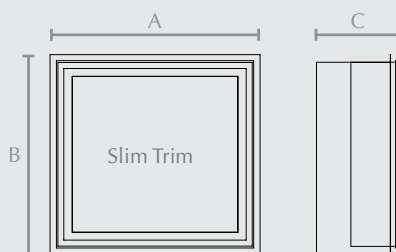
Fascia Finish	Matt Black
Min / Max Output	3.5 / 5.4kW
Control	Smartslide
Efficiency	78.1% / EEC:E
Flue Type	Conventional Class 1 & 2
Gas Type	Natural Gas
Burner	Dual Burner
Fascia Options	Slim or optional Wide* trim
Glass Options	Standard or Non Reflective* glass

*Optional Extra

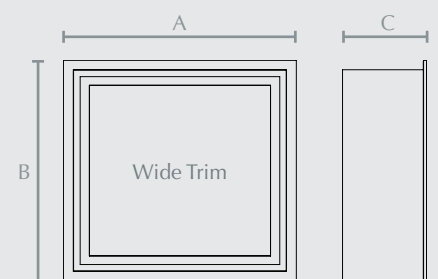
The unique dual burner system allows the fire to be turned to low whilst still retaining an impressive flame picture.

With up to 5.4kW of instant heat, the Calleos 750CF is sure to impress.

Also available as the Erdington or Alford, a complete Micro Marble gas fireplace. See elginandhall.co.uk for more details.



A) Width 748mm | B) Height 711mm
C) Inset Depth 280mm



A) Width 807mm | B) Height 770mm
C) Inset Depth 280mm

*See installation instructions for further details



Slim Trim



Wide Trim

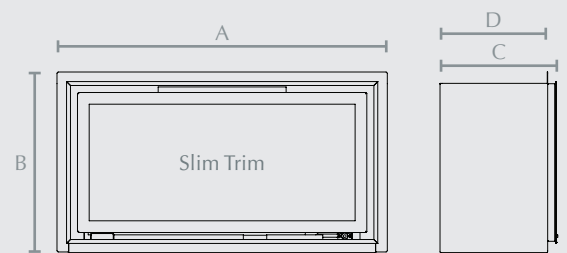


Flame Detail

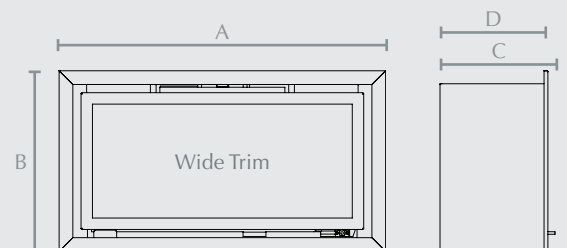
Calleos 800CF

Inset wall mounted gas fire

Fascia Finish	Matt Black
Min / Max Output	2.9 / 4.4kW
Control	Smartslide
Efficiency	74.7% / EEC:E
Flue Type	Conventional Class 1 & 2
Gas Type	Natural Gas
Burner	Dual Burner
Fascia Options	Slim or Wide* trim
Glass Options	Standard or Non Reflective* glass



A) Width 798mm
B) Height 415mm
C) Depth 280mm
D) Inset Depth 278mm



A) Width 857mm
B) Height 474mm
C) Depth 280mm
D) Inset Depth 278mm

*Optional Extra



Includes: Engine | Trim | Lining set | Flue & cowl kit



Flame Detail

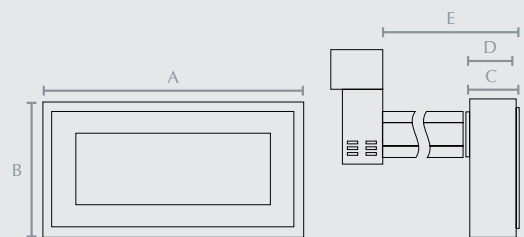


Trim Detail

Elsie 960BF

Balanced Flue inset wall mounted gas fire

Fascia Finish	Brushed Steel trim
Min / Max Output	2.1 / 4.6kW
Control	Smartslide
Efficiency	86% EEC:C EEI: 77%
Flue Type	Balanced Flue
Gas Type	Natural Gas
Includes	Engine, trim, lining set, flue & cowl kit



A) Width 1198mm | B) Height 666mm
 C) Depth 187mm | D) Inset Depth 174mm
 E) Wall Depth min 270 - max 725mm

Electric Stoves

With an electric stove there's no need for a flue. You can safely sit a stove directly on to a level surface such as a wooden floor; the only installation required is plugging into a socket. It will convect heat into the room, thermostatically controlled for lasting comfort.

Benefits

With an electric stove you don't need to generate heat to enjoy its comforting glow. The LED flame effect only control option, lets you experience it any time of the day or year.

Efficient

Enjoy the convenience of efficient, instantly controllable heat and clean maintenance free living. By itself the LED only effect consumes between 9 & 14 watts of energy.



7 Day Thermostatic Remote Control

An Elgin & Hall inset fire should be effortless to operate. Which is why they come complete with a remote control to put different levels of heat, light and flame at your fingertips.



Manual Switches

Are easily accessible with main functions to compliment the remote control.

Beacon Stove & Inset

A freestanding lightweight stove made from timber, but with the distinct appearance of steel, the Beacon offers an ultra-realistic flame effect and glowing log bed. Conveniently control the 2kW heat output with the 7 day programmable thermostatic remote control. All this is also available in a compact inset version in Matt Black, which boasts a 45mm rebate making it perfect for any 45mm or 75mm rebated marble or timber surround. In two sizes, large and small, both inset stoves will fit into a standard 16" back panel cut out.



Large in Matt Black

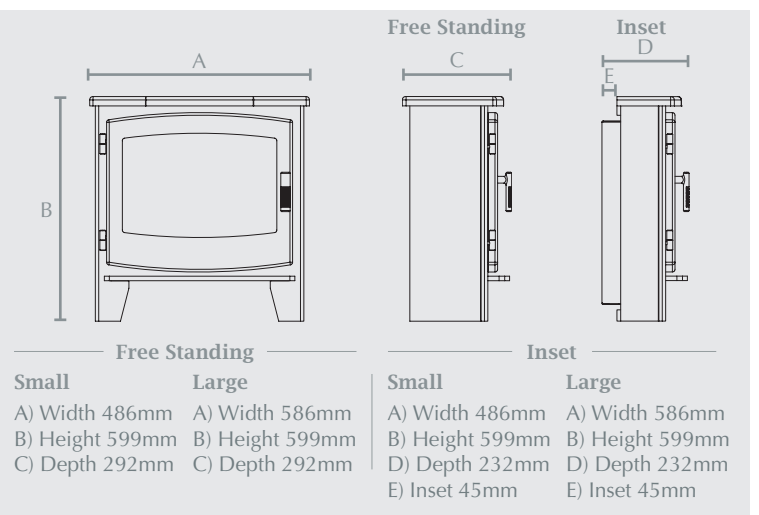


Small in Ash White



Inset Large in Matt Black

	Free Standing	Inset
Stove Finish	Matt Black or Ash White	Matt Black
Stove Heat Output	Up to 2kW	Up to 2kW
Stove Control	7 Day Thermostatic Remote Control	
Stove Size	Small or Large	Small or Large
Rebate	N/A	45mm
Backpanel Cut Out Required	N/A	Will fit a standard 16" back panel cut out



Ora Stove & Inset

The traditional Ora 5 & 7 freestanding electric stove boasts a gentle arched window set into a Cast Iron door with Steel body. Beautifully finished in Matt Black, the realistic glowing log bed shimmers beneath the dancing flames; enjoy up to 2kW heat or flame effect only, saving energy and money.



Ora 5

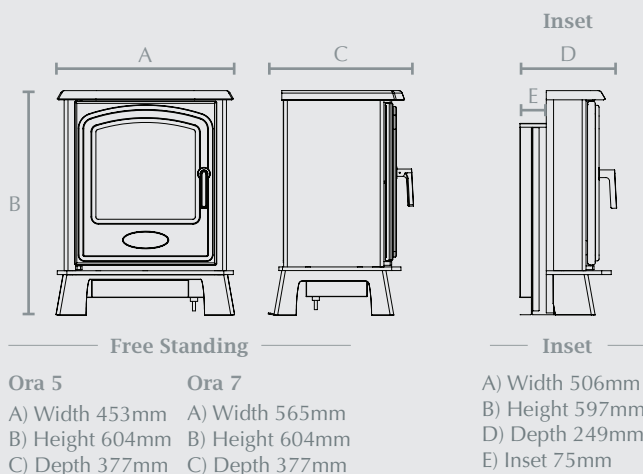


Ora 7



Ora Inset

	Free Standing	Inset
Stove Finish	Matt Black	Matt Black
Stove Heat Output	Up to 2kW	Up to 2kW
Stove Control	7 Day Thermostatic Remote Control	
Stove Size	5 or 7	N/A
Rebate	N/A	75mm
Backpanel Cut Out Required	N/A	Will fit a standard 16" back panel cut out



Desire Stove & Inset

Our Desire electric stoves provide the shimmer and smoulder of a coal burning stove but in the most convenient form. This Steel construction in Matt Black finish is available in three sizes, each providing up to 2kW heat output and a 7 day programmable thermostat remote control.



Desire 5



Desire 6

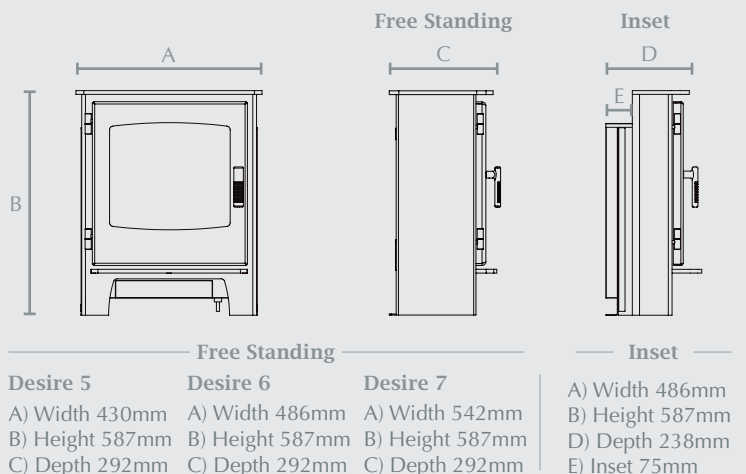


Desire 7



Desire Inset

	Free Standing	Inset
Stove Finish	Matt Black	Matt Black
Stove Heat Output	Up to 2kW	Up to 2kW
Stove Control	7 Day Thermostatic Remote Control	
Stove Size	5 or 7	N/A
Rebate	N/A	75mm
Backpanel Cut Out Required	N/A	Will fit a standard 16" back panel cut out



Note: Spigot is an optional extra

Heslington

The Heslington freestanding electric stove is built from Cast Iron in Matt Black finish with a wide arched window which allows the landscape of flames to be fully admired. The warmth of the 2kW heat output and the intensity of the flame effect can be controlled with a 7 day programmable thermostat remote control. Slimline proportions allow the Heslington to sit comfortably on a standard sized hearth.

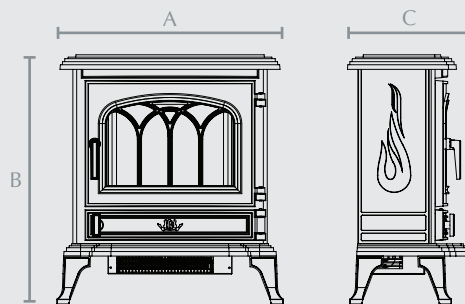


With Arched Window (Standard)



Heslington - Plain Door (Optional)

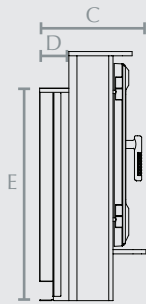
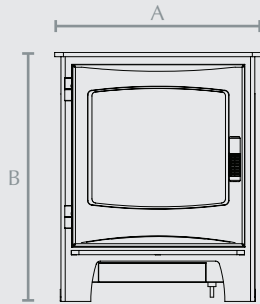
Stove Finish	Matt Black
Stove Heat Output	Up to 2kW
Stove Control	7 Day Thermostatic Remote Control
Standard Window	Arched Window
Optional Window	Plain Window



A) Width 591mm
 B) Height 651mm
 C) Depth 324mm

Ignite Inset

Cast door with steel body
7 Day Programmable Thermostatic
Remote Control



A) 486mm | B) 587mm | C) 236mm
D) 69mm | E) 500mm
Rebate: 75mm



Matt Black

Inglenook compatibility with Stove & Decorative flue

		Beacon Small / Large	Heslington	Desire 5/6/7	Ora 5/7	Canterbury**	Colman**	Elstow**	Espire**	Hereford 5/7**	Lincoln**	Serrano**	Qube**	Tunstall**	Southgate**	Winchester**	Wimslow	York**
Holton	Stove only	✓	✓	✓	✓*	✓	✓	✓	✓	✓*	✓	✓	✓		✓	✓		✓
	Plastic Flue	✓		✓	✓*	✓		✓	✓*		✓	✓			✓	✓		✓
	Metal Flue		✓			✓	✓				✓	✓			✓			✓
Amble	Stove only	✓	✓	✓	✓*	✓	✓	✓	✓		✓	✓	✓			✓	✓	✓
	Plastic Flue	✓	✓	✓	✓*	✓	✓	✓	✓		✓	✓	✓			✓	✓	✓
	Metal Flue	✓	✓			✓	✓	✓	✓		✓	✓					✓	✓

*Handle and / or skirt will protrude over the front of the hearth slightly.
**Available from flarecollection.com

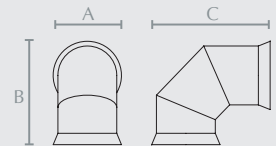
Decorative Flues

Suitable for electric stoves only



Matt Black

5" Metal flue in
Matt Black finish



A) 145mm | B) 220mm | C) 252mm

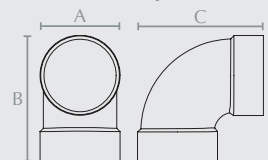


Matt Black

Cream

French Grey

4" Plastic flue in
Matt Black, Cream or
French Grey finish



A) 122mm | B) 195mm | C) 195mm

Gas Stoves

From hand crafted ceramic fibre logs, the flame picture is remarkably reminiscent of the real thing. The heat is comparable in quality to the warmth radiating from our equivalent multifuel models. Although the output is slightly less, the extra convenience of gas more than compensates.

Installation

Current regulations stipulate that all gas stove installations must be carried out by a Registered Gas Safe Engineer.

For information and advice on a Gas Safe Engineer, please contact your local Elgin & Hall retailer.

Servicing

All gas stoves need to be serviced annually by a Registered Gas Safe Engineer to ensure continued operation and optimum performance.

This annual service is a condition of our warranty, and you must show a record of approved servicing.

Warranty

Gas stove appliances carry a 1 Year warranty which covers any manufacturing faults. It is important to note that a number of components in your stove are classed as consumable and therefore will need to be replaced from time to time. (Consumable parts include grates, firebricks and rope.)

Safety Assurance



Flame Failure Device

All of our gas fires are fitted with a flame monitoring device ensuring that in the event of the flame going out during its operation, the gas supply to the fire is instantly cut off.



Oxygen Depletion Sensor

For your safety, all our gas fires are fitted with an Oxygen Depletion Sensor. This will shut off the gas supply if the oxygen level in the room is too low or if there is a blockage in the chimney or flue.



Quality Approved

All our fires are manufactured in accordance with internationally recognised Quality and Environmental Management System Standards ISO 9001:2015 and ISO 14001:2015 guaranteeing responsible working and product quality.

Super Controllable



Remote Control

Effortless to operate, choose remote control* where available to easily change the heat.

*Only available on stated models




Manual Control

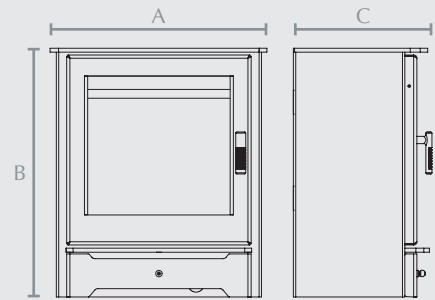
Our manual controls are easily accessible offering a convenient way to control the heat with in your room.



Endure

Freestanding Balanced Flue gas stove

Stove Finish	Matt Black
Flue Diameter	150mm Balanced Flue*
Stove Heat Output	3.3kW (high) 2.1kW (low)
Stove Control	Manual
Efficiency	86.2%
Flue Outlet	Rear
Energy Efficiency Class	
Top	Manual: 



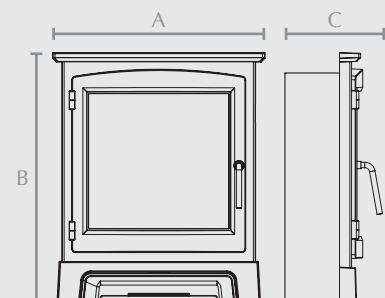
A) Width 542mm
B) Height 622mm
C) Depth 336mm



Cast Stove Front

Inset gas fire with Cast Stove Front

	Mid Depth HE	Deepline HE	Balanced Flue*
Width	559mm	559mm	559mm
Height	658mm	658mm	658mm
Inset Depth	128mm	198mm	186mm
Inset Width	403mm	403mm	403mm
Inset Height	553mm	553mm	553mm
Output - High	2.7kW	4.2kW	3.3kW
Output - Low	1.7kW	2.2kW	2.1kW
Efficiency	82%	87%	86.2%
Energy Efficiency Class			



A) Width 559mm
B) Height 658mm
C) Depth (See table)

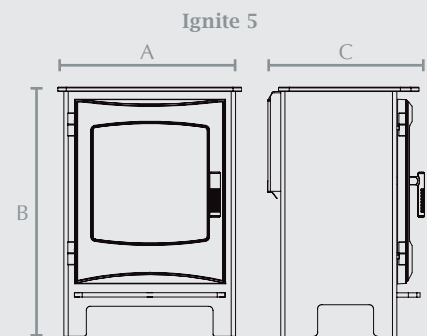
* Includes Balanced Flue kit



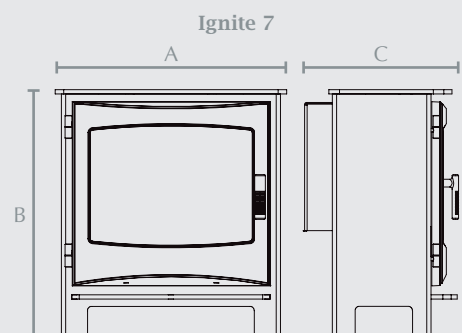
Ignite 5 Gas

Ignite 5 & 7 gas Freestanding gas stove

	Ignite 5	Ignite 7
Stove Finish	Matt Black	Matt Black
Flue Diameter	125mm	125mm
Stove Heat Output	4.3kW (top) 4.15kW (rear)	4.7kW (top)
Stove Control	Optional Remote Control	Manual
Efficiency	83% (top) 80% (rear)	80%
Flue Outlet	Top and rear	Top
Energy Efficiency Class		
Top	Manual: D Remote: C	Manual: E
Rear	Manual: E Remote: D	N/A



A) Width 430mm | B) Height 582mm | C) Depth 371mm



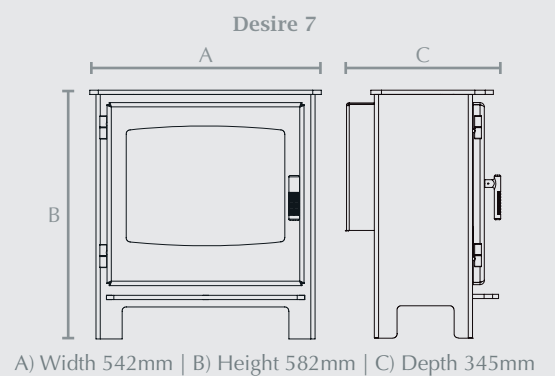
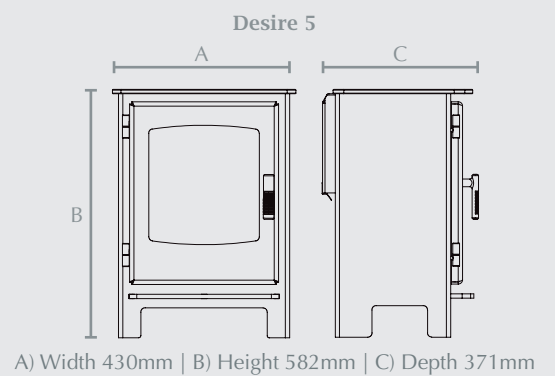
A) Width 542mm | B) Height 582mm | C) Depth 345mm



Desire 7 Gas

Desire 5 & 7 gas Freestanding gas stove

	Desire 5	Desire 7
Stove Finish	Matt Black	Matt Black
Flue Diameter	125mm	125mm
Stove Heat Output	4.5kW (top) 4kW (rear)	4.7kW (top)
Stove Control	Optional Remote Control	Manual
Efficiency	83% (top) 74% (rear)	80%
Flue Outlet	Top and rear	Top
Energy Efficiency Class		
Top	Manual: D Remote: C	Manual: E
Rear	Manual: E Remote: E	N/A



Multifuel Stoves

Multifuel stoves hold energy efficiency class (EEC) ratings of A, making them top of their class when it comes to reducing your carbon footprint.

Ecodesign Ready is the European-wide programme to lower emissions and will be in force in the UK from 2022. Our stoves comply with the new Ecodesign Ready programme when used as woodburning. Look for our Ecodesign logo.

Ecodesign Ready multifuel stoves are designed to burn at higher levels in the fire box. This greatly reduces the organic particulates that are normally released from a pre Ecodesign Ready multifuel stove. This in turn significantly reduces the level of emissions from woodburning and has a positive impact on carbon reduction.

HETAS is a non profit organisation that approves biomass and solid fuel appliances. With HETAS approved stoves you can be assured that the appliance conforms to the UK building regulations in its use and installation. Our stoves are so efficient they bear the HETAS approval.

Aftercare

Annual servicing is a must for multifuel stoves to keep them in top working order. Only ever clean the surface of your stove when it is cold, using a soft brush. A slightly damp lint-free cloth can be used for stubborn stains but ensure surfaces are dried immediately. Annual chimney sweeping must be done for multifuel and woodburning stoves to ensure fire safety in your home.

Your stove's high temperature paint will lighten over time through natural ageing. You can re-paint or touch up your stove with a recommended paint from your stove retailer who can also supply any replacement parts and spares.

Warranty

Our multifuel stoves come with a 5 year warranty. It is important to note that a number of components in your stove are classed as consumable and therefore will need to be replaced from time to time. (Consumable parts include grates, firebricks and rope.)

Glass does not carry any form of warranty, this is because the glass can only break through mechanical impact.

Curved Log Basket



Width 450mm
Height 358mm
Depth 350mm

Square Log Basket



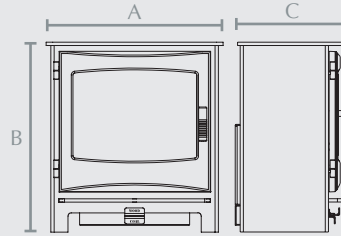
Width 447mm
Height 340mm
Depth 352mm



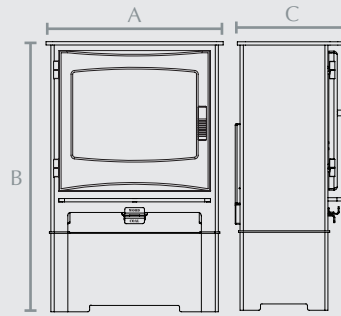
Ignite 5 Widescreen Log Store

Ignite

Ignite 5 Widescreen	
Flue Diameter	125mm
Stove Heat Output	5kW
Efficiency	79% A
Flue Outlet	Top and rear
Ecodesign Ready	Yes (Woodburning)



Ignite 5 Widescreen
 A) Width 542mm
 B) Height 582mm
 C) Depth 356mm



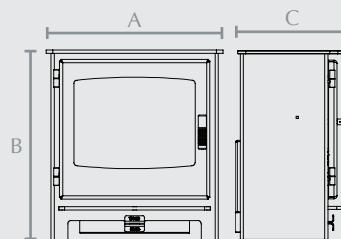
Ignite 5 Widescreen Log Store
 A) Width 542mm
 B) Height 827mm
 C) Depth 356mm



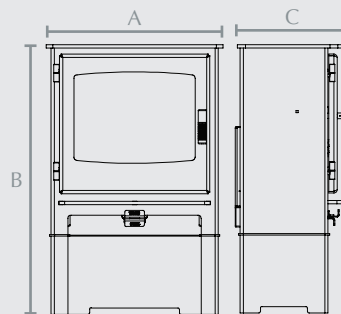
Desire 5 Widescreen

Desire

Desire 5 Widescreen	
Flue Diameter	125mm
Stove Heat Output	5kW
Efficiency	79% A
Flue Outlet	Top and rear
Ecodesign Ready	Yes (Woodburning)



Desire 5 Widescreen
 A) Width 542mm
 B) Height 582mm
 C) Depth 356mm



Desire 5 Widescreen Log Store
 A) Width 542mm
 B) Height 827mm
 C) Depth 356mm



Finishes & Dimensions

Inset Wall Mounted Electric Fires

Page	Description	Engine	Width	Height	Inset Depth	Opening Required		Finish
						Width	Height	
7	Volta 32 - Pryzm	750	804mm	432mm	238mm	792mm	398mm	Black Nickel,
7	Volta 42 - Pryzm	1000	1054mm	432mm	238mm	1042mm	398mm	Matt Black or Chrome

Arteon 3 sided glass electric fire

Page	Description	Width			Height	Depth	Engine	Heat Output	Optional Mood Lighting	Fuel Bed Options
		1 Sided	2 Sided	3 Sided						
8-9	Arteon 1000-3SL (1,2 or 3 Sided)	1002mm	1015mm	1028mm	515mm	See Page 8	1000, 1250 or 1500 3SL	1.5kW	Yes. 0.8 cable + 3m LED Lights	Logs, Crystals, Pebbles, Bark & Slate
8-9	Arteon 1250-3SL (1,2 or 3 Sided)	1252mm	1265mm	1278mm	515mm					
8-9	Arteon 1500-3SL (1,2 or 3 Sided)	1502mm	1515mm	1528mm	515mm					

Inset Electric Fires

Page	Model	Fascia / Trim	Width	Height	Inset Depth	Finish	22" Switch
10	Arteon 16	Ray	512mm	611mm	145mm / 75mm*	Chrome or Black Nickel	✗
		Devotion	510mm	605mm	145mm / 75mm*	Chrome or Black Nickel	✗
		Cast Stove Front	562mm	659mm	145mm	Matt Black	✗
11	Arteon 22	Ray	612mm	611mm	145mm / 75mm*	Chrome or Black Nickel	✓
		Cast Stove Front	668mm	672mm	145mm	Matt Black	✓
16	Chollerton 16	Cast Stove Front	562mm	659mm	145mm	Matt Black	✗
14		Chollerton	512mm	611mm	145mm / 75mm*	Chrome or Black Nickel	✗
		Devotion	510mm	605mm	145mm / 75mm*	Brass, Brushed Steel, Chrome, Black Nickel	✗
16	Chollerton 22** (Fits into a 22" & 16" back panel)	Edge	511mm	611mm	145mm / 75mm*	Chrome or Black Nickel	✗
15		Cast Stove Front	668mm	672mm	145mm	Matt Black	✓
		Chollerton	612mm	611mm	145mm / 75mm*	Chrome or Black Nickel	✓
17	Elsie 950	N/A	804mm	624mm	165mm	Matt Black	✗
17	Elsie 900	N/A	663mm	744mm	165mm	Matt Black	✗
12	Pryzm 16	Chollerton	512mm	611mm	145mm / 75mm*	Chrome or Black Nickel	✗
		Edge	511mm	611mm	145mm / 75mm*	Chrome or Black Nickel	✗
		Devotion	510mm	605mm	145mm / 75mm*	Brass, Brushed Steel, Chrome, Black Nickel	✗
		Devotion + Belmont	510mm	605mm	145mm / 75mm*	Brass, Black, Chrome, Black Nickel	✗
		Devotion + Hampden	510mm	605mm	145mm / 75mm*	Brass, Black, Chrome, Black Nickel	✗
		Devotion + Brantley	510mm	605mm	145mm / 75mm*	Brass, Chrome, Black Nickel	✗
13	Pryzm 22	Cast Stove Front	562mm	659mm	145mm	Matt Black	✗
		Chollerton	612mm	611mm	145mm / 75mm*	Chrome or Black Nickel	✓
		Edge	611mm	611mm	145mm / 75mm*	Chrome or Black Nickel	✓
		Cast Stove Front	668mm	672mm	145mm	Matt Black	✓

* 75mm achieved when used with Spacer Frame | ** Spacer required for 16" back panel cutout

Inset Gas Fires: Exclusive, Devotion & Classic Collections

Page	Model	Width	Height	Inset Depth	Inset Width	Inset Height	EEC
20-21	Slimline Radiant	510mm	605mm	123mm	403mm	553mm	F
	Deepline Radiant	510mm	605mm	173mm	403mm	553mm	F
	Deepline Convectector	510mm	605mm	198mm	403mm	553mm	F
	Mid-Depth High Efficiency	510mm	605mm	128mm	403mm	553mm	D
	Deepline High Efficiency	510mm	605mm	198mm	403mm	553mm	C
	Balanced flue*	510mm	605mm	186mm	400mm	550mm	C

*Includes balanced flue kit

See pages 20-21 for finishes

Inset Gas Fires: Eclipsim Cast Fascia

Page	Model	Width	Height	Inset Depth	Inset Width	Inset Height
20	Slimline Radiant	563mm	716mm	123mm	403mm	553mm
	Deepline Radiant	563mm	716mm	173mm	403mm	553mm
	Mid-Depth High Efficiency	563mm	716mm	128mm	403mm	553mm
	Deepline High Efficiency	563mm	716mm	198mm	403mm	553mm
	Balanced flue	563mm	716mm	186mm	400mm	550mm

Inset Gas Fires: Calleos Gas

Page	Model	Width	Height	Inset Depth	Inset Width	Inset Height	EEC
22	Calleos 16 - Chollerton	512mm	611mm	197mm	403mm	555mm	C
	Calleos 16 - Edge	511mm	611mm	197mm	403mm	555mm	C
	Calleos 16 Bal Flue - Chollerton	512mm	611mm	290mm - 580mm	409mm	555mm	D
	Calleos 16 Bal Flue - Edge	511mm	611mm	290mm - 580mm	409mm	555mm	D
	Calleos 22 - Chollerton	612mm	611mm	195mm	560mm	556mm	C

Wall Mounted Inset Gas Fire

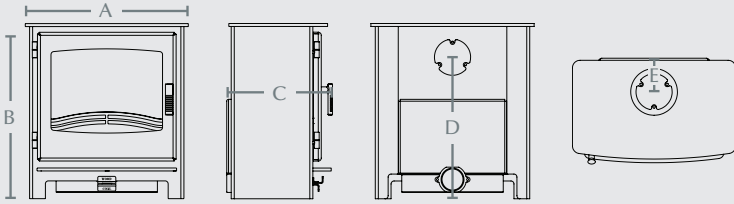
Page	Model	Width	Height	Depth	Inset Depth	Finish	EEC
26	Calleos 800CF - Slim Trim	798mm	415mm	280mm	278mm	Matt Black	E
	Calleos 800CF - Wide Trim	857mm	474mm	280mm	278mm	Matt Black	E
25	Calleos 750CF - Slim Trim	748mm	711mm	280mm	280mm	Matt Black	E
	Calleos 750CF - Wide Trim	807mm	770mm	280mm	280mm	Matt Black	E
24	Calleos 600CF - Slim Trim	598mm	598mm	280mm (+18-32mm)	280mm	Matt Black	E
	Calleos 600CF - Wide Trim	747mm	747mm	280mm	280mm	Matt Black	E
27	Elsie 960 Balanced Flue*	1198mm	666mm	187mm	174mm	Brushed Steel Trim	C
23	Elsie 950	800mm	622mm	273mm	255mm	Matt Black	E


*Includes balanced flue kit

Inset Gas Fires: Cast Stove Front

Page	Model	Width	Height	Inset Depth	Inset Width	Inset Height
20/35	16 Mid-Depth High Efficiency	562mm	659mm	128mm	403mm	553mm
	16 Deepline High Efficiency	562mm	659mm	198mm	403mm	553mm
	16 Balanced flue*	562mm	659mm	186mm	400mm	550mm
23	16 Calleos	562mm	659mm	197mm	403mm	555mm
	22 Calleos	668mm	672mm	195mm	560mm	556mm
	16 Calleos Balanced Flue	562mm	659mm	290mm - 580mm	409mm	552mm

*Includes balanced flue kit | Calleos was formerly the Chollerton





All multifuel stoves are smoke exempt. External air intake option available on all Ignite and Desire models.

EEC = Energy Efficiency Class | All dimensions shown in mm. Endure Balanced Flue Stove come complete with the flue kit. For full product specifications please visit www.elginandhall.co.uk

Freestanding Electric Stoves

Page	Model	Width (A)	Height (B)	Depth (C)	Nominal Heat Output
29	Beacon Small	486mm	599mm	292mm	2kW
	Beacon Large	586mm	599mm	292mm	2kW
31	Desire 5	430mm	587mm	292mm	2kW
	Desire 6	486mm	587mm	292mm	2kW
	Desire 7	542mm	587mm	292mm	2kW
32	Heslington	591mm	651mm	324mm	2kW
30	Ora 5	453mm	604mm	377mm	2kW
	Ora 7	565mm	604mm	377mm	2kW

Inset Electric Stoves

Page	Model	Width	Height	Depth	Inset Depth	Finish	Nominal Heat Output
29	Beacon Small	486mm	599mm	232mm	45mm	Matt Black	2kW
	Beacon Large	586mm	599mm	232mm	45mm	Matt Black	2kW
31	Desire	486mm	587mm	238mm	75mm	Matt Black	2kW
33	Ignite	486mm	587mm	236mm	75mm	Matt Black	2kW
30	Ora	506mm	597mm	249mm	75mm	Matt Black	2kW

Freestanding Gas Stoves

Page	Model	Width (A)	Height (B)	Depth (C)	Flue Diameter	To centre of rear flue (D)	To centre of top flue (E)	Nominal Heat Output	Efficiency	EEC
37	Desire 5	430mm	582mm	371mm	125mm	480mm	130mm	6kW Input / 4.5kW Output	83%	C-E
	Desire 7	542mm	582mm	345mm	125mm	N/A	162mm	6.5kW Input / 4.7kW Output	80%	E
35	Endure Balanced Flue	542mm	622mm	336mm	150mm	417mm	N/A	4.2kW Input / 3.3kW Output	86.2%	C
36	Ignite 5	430mm	582mm	371mm	125mm	480mm	130mm	6kW Input / 4.5kW Output	83%	C-E
	Ignite 7	542mm	582mm	345mm	125mm	N/A	162mm	6.5kW Input / 4.7kW Output	80%	E

Freestanding Multifuel Stoves: EcoDesign Ready 2022 (for woodburning)

Page	Model	Fuel Type	Width (A)	Height (B)	Depth (C)	Flue Diameter	To centre of rear flue (D)	To centre of top flue (E)	Nominal Heat Output	Efficiency	EEC	DEAS KIT (Direct External Air Supply)
39	Desire 5 Widescreen	Multifuel	542mm	582mm	356mm	125mm	470mm	115mm	5kW: Wood	79% Wood	A	✓
	Desire 5 Widescreen with log store	Multifuel	542mm	827mm	356mm	125mm	715mm	115mm	5kW: Wood	79% Wood	A	✓
39	Ignite 5 Widescreen	Multifuel	542mm	582mm	356mm	125mm	470mm	115mm	5kW: Wood	79% Wood	A	✓
	Ignite 5 Widescreen with log store	Multifuel	542mm	827mm	356mm	125mm	715mm	115mm	5kW: Wood	79% Wood	A	✓

Stove Accessories

Page	Model	Width	Height	Depth	Finish
33	Decorative Flue Pipe (Plastic)	122mm	195mm	195mm	Matt Black, Cream, French Grey
	Decorative Flue Pipe (Metal)	145mm	220mm	252mm	Matt Black
38	Curved Log Basket	450mm	358mm	350mm	Matt Black - 3mm Mild Steel
	Square Log Basket	447mm	340mm	352mm	Matt Black - 3mm Mild Steel

Scan the QR code below with your mobile phone camera to view the latest from Elgin & Hall

Watch Videos of our products



Download the latest Elgin & Hall brochures



Find your local retailer



Visit our website elginandhall.com



ARTEON

NEW BROCHURE - IN STORE OR DOWNLOAD ONLINE



P R  Z M

REVOLUTIONIZING FLAMES

www.pryzmfires.com

bemodern®

For more information on our other brands,
please contact them below.



ELGIN & HALL®

BRITISH MADE

www.elginandhall.com

tel: 0191 430 9434



P R Y Z M

REVOLUTIONIZING FLAMES

www.pryzmfires.com

tel: 0191 430 9434



FLARE

collection

www.flarecollection.com

tel: 0191 489 8006



atlanta®

Bathrooms

atlantabathrooms.com

tel: 0191 428 0444





ELGIN & HALL[®]
BRITISH MADE



Contact Us

For more information or to place an order please contact us

Tel: 0191 430 9434 | Email: enquiries@elginandhall.co.uk | Visit: www.elginandhall.com

BeModern[®] | 19/34 Bedesway | Bede Industrial Estate | Jarrow | Tyne and Wear | NE32 3BE

BeModern[®] hold design copyright and registration of design for its product ranges. BeModern[®] are continually striving to improve and develop their range of products. It is important, therefore, to check details before ordering as sizes and specifications may change without prior notice. Whilst every effort is made to ensure accuracy and colour, it is not always possible to obtain perfect reproduction because of the materials and printing processes used and you may find that shades, natural grain markings and marble colouring are not consistent. © BeModern[®] February 2023

Front cover: Arteon 22 in Black Nickel shown in the 52" Vitalia micro marble surround in White



www.carbonbalancedprint.com
CBP2105

